

SHIFT

212

SISTER CITIES PARK

CAFÉ &  
VISITOR  
CENTER

SISTER CITIES  
PARK

2020

Objects as enduring as they  
are versatile. Our furniture  
and accessories merge  
architectural forms with  
industrial craft.

Shift was founded in 2009 in Philadelphia with the  
ambition to create expressive options for outdoor  
lifestyles.

Together with architects, industrial designers and  
American fabricators, Shift examines prevailing  
proportions, forms, materials and behaviors to craft  
new standards for outdoor living.

Shift is the furniture design and manufacturing  
arm of architecture and industrial design studio  
Shiftspace. Each piece is manufactured in America  
through sustainable, contemporary techniques.

Furniture

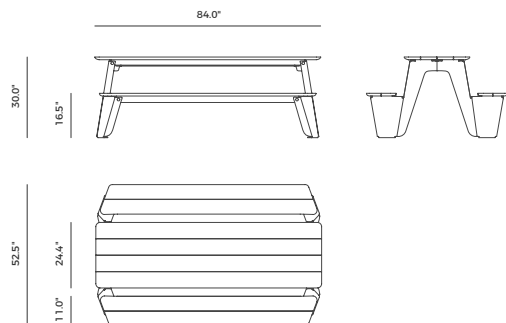


## Rambler 84 Picnic Table

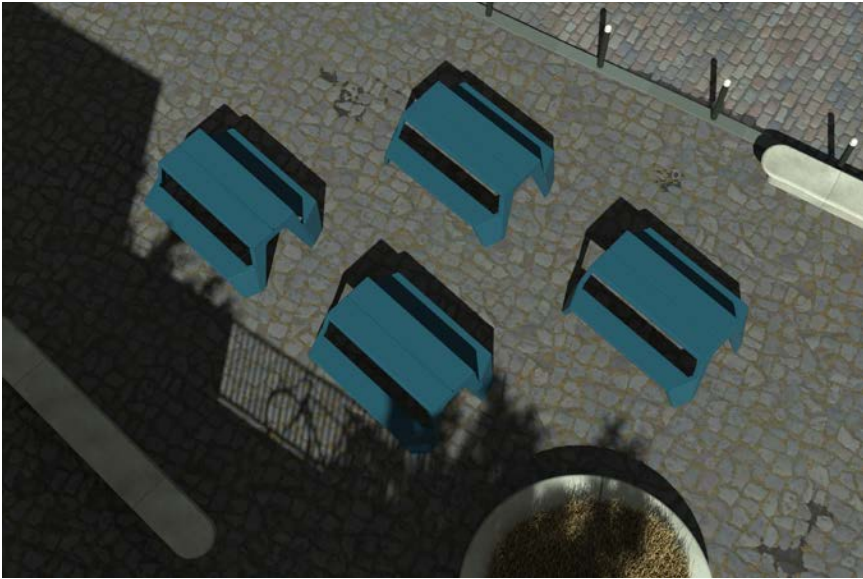


A modern reinterpretation of the classic picnic table, with updated materials and finishes. Refined proportions and room for eight guests make Rambler 84 a flexible option for gathering spaces. The design consists of an all-aluminum frame topped with wide-plank wood slats to form table and bench surfaces.

<b>Environment</b>	Indoor + Outdoor
<b>Dimensions</b>	H: 30in/76.2cm, W: 84in/213.4cm, D: 52.5in/133.4cm
<b>Material</b>	Solid Wood, Coated Aluminum
<b>Standard Colors</b>	Pearl / Slate / Moss / Lake
<b>Wood Finishes</b>	Ipe / Ash

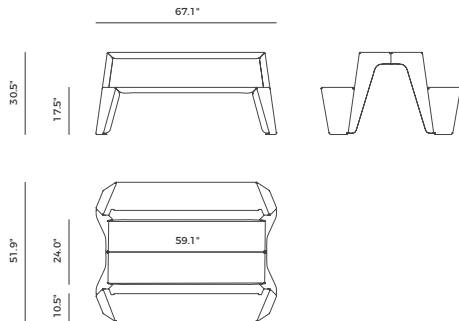


## Rambler 60 Picnic Table



The Rambler 60 is the mid-sized entry of our Rambler series of picnic tables, with all-aluminum construction. This hardworking picnic table combines low-maintenance with high-impact furniture.

<b>Environment</b>	Indoor + Outdoor
<b>Dimensions</b>	H: 30.5in/77.7cm, W: 66.9in/169.9cm, D: 51.9in/131.8cm
<b>Material</b>	Coated Aluminum
<b>Standard Colors</b>	Pearl / Slate / Moss / Lake

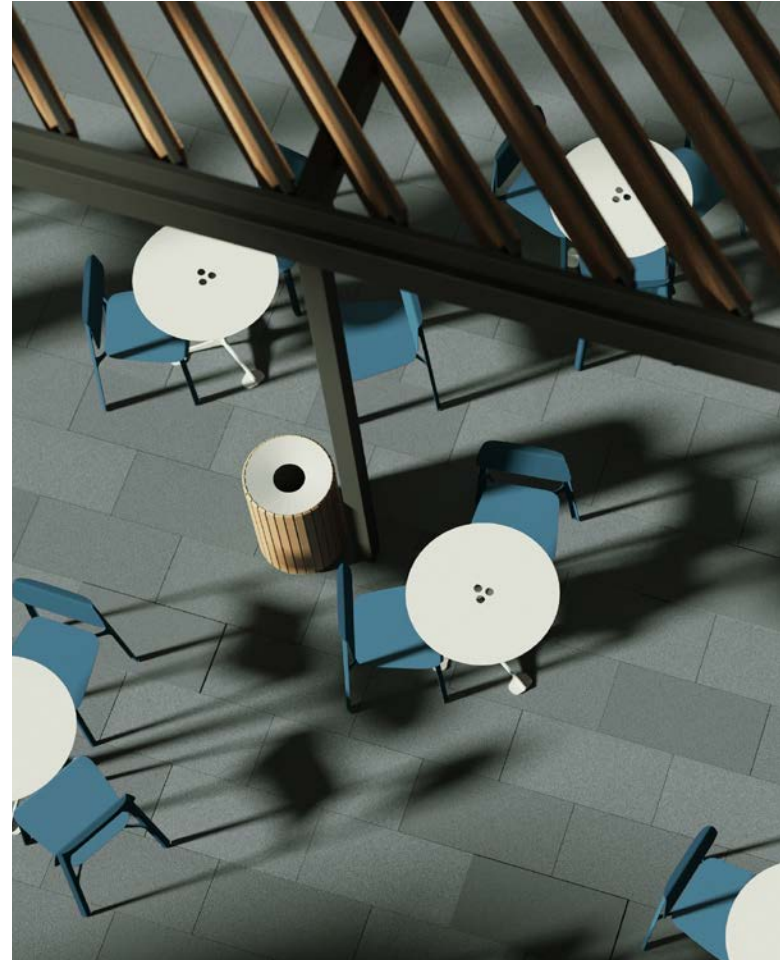
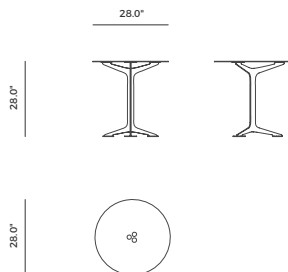


## Jackson Cafe Table



The Jackson Cafe Table is an archetypal cafe table with a pedestal base. Brimming with personality, it features a planar table surface that floats above a sculpted base which then touches down on three playful feet. All-aluminum construction makes it a resilient option for public and private settings alike.

<b>Environment</b>	Indoor + Outdoor
<b>Dimensions</b>	H: 28.0in/71.1cm, W: 28.0in/71.1cm, D: 28.0in/71.1cm
<b>Material</b>	Coated Aluminum
<b>Standard Colors</b>	Pearl / Slate / Moss / Lake



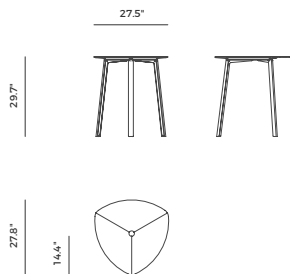
## Third Bistro Table



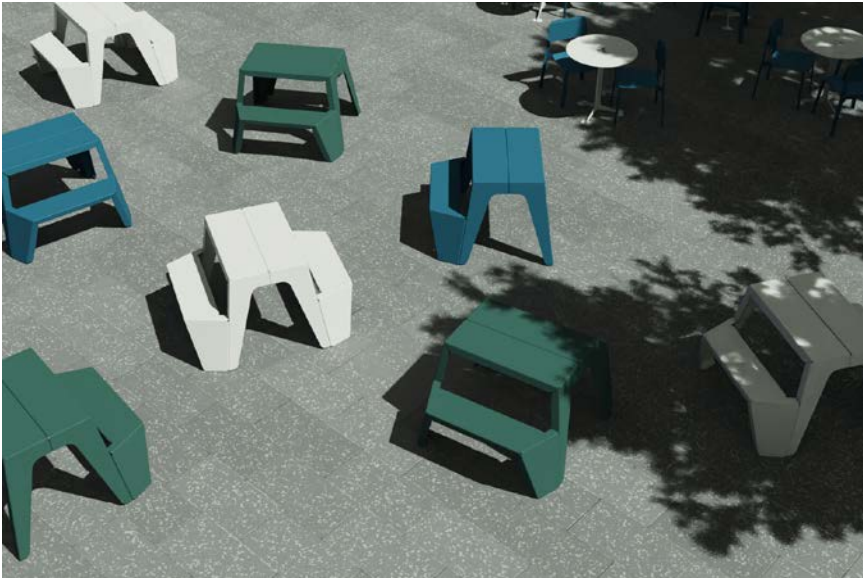
The Third Bistro Table is an impactful yet minimal three-legged bistro table suited for public squares and sidewalks alike.



<b>Environment</b>	Indoor + Outdoor
<b>Dimensions</b>	H: 29.7in/75.4cm, W: 27.5in/69.9cm, D: 27.5in/69.9cm
<b>Material</b>	Coated Aluminum
<b>Standard Colors</b>	Pearl / Slate / Moss / Lake

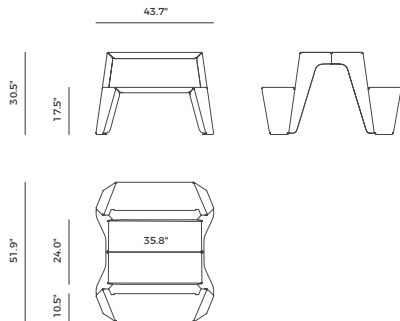


## Rambler 36 Picnic Table



The Rambler 36 is a compact two-to-four person picnic table. The diminutive size provides a new tool for activating public spaces. Rambler 36 is made from coated aluminum and designed to withstand the conditions associated with high-traffic public environments. Optional programmed accessories provide extended flexibility and customization.

<b>Environment</b>	Indoor + Outdoor
<b>Dimensions</b>	H: 30.5in/77.5cm, W: 43.7in/111.0cm, D: 51.9in/131.8cm
<b>Material</b>	Coated Aluminum
<b>Standard Colors</b>	Pearl / Slate / Moss / Lake





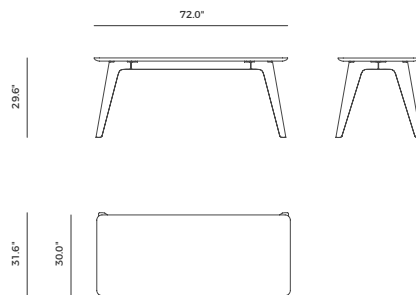
## Kern Dining Table



The Kern Dining Table matches a slender porcelain top with a substantial aluminum frame. Accentuated seams reveal an underlying structural grid.



<b>Environment</b>	Indoor + Outdoor
<b>Dimensions</b>	H: 29.6in/75.2cm, W: 72in/182.9cm, D: 31.6in/80.3cm
<b>Material</b>	Porcelain, Coated Aluminum
<b>Standard Colors</b>	Pearl / Slate / Moss / Lake

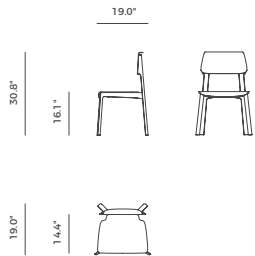


## Jackson Dining Chair



The Jackson Chair is an all-aluminum stacking chair designed for cafes and public spaces. Jackson is an approachable chair underscored by comfortable proportions, functionality, and considered details.

<b>Environment</b>	Indoor + Outdoor
<b>Dimensions</b>	H: 30.8in/78.2cm, W: 19in/48.3cm, D: 19in/48.3cm
<b>Material</b>	Coated Aluminum
<b>Standard Colors</b>	Pearl / Slate / Moss / Lake

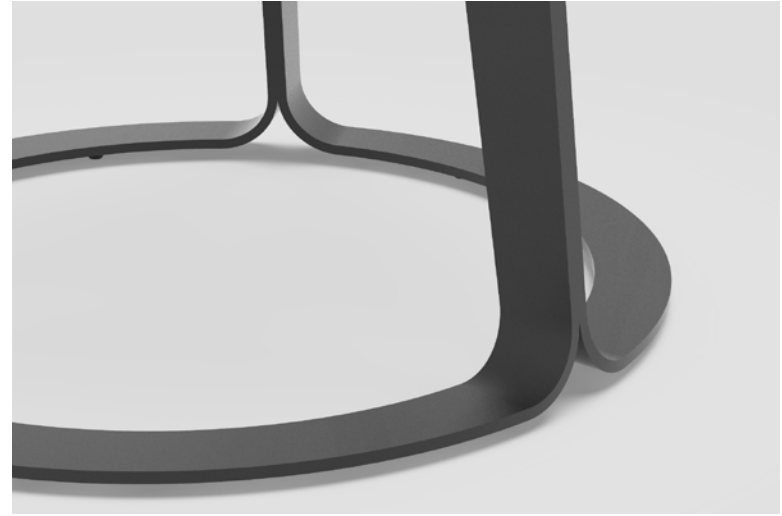
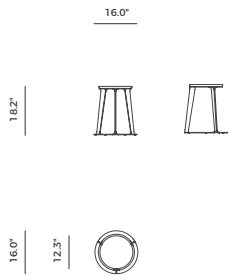


## Peel Side Table



The Peel Side Table explores the connection between surface and frame, expressed by folding and unfolding volumetric loops. These loops merge to form a coated aluminum side table topped by marble, capable of handling diverse environments in public and private, indoor or outdoor.

<b>Environment</b>	Indoor + Outdoor
<b>Dimensions</b>	H: 18.2in/46.2cm, W: 16in/40.6cm, D: 16in/40.6cm
<b>Material</b>	Coated Aluminum
<b>Standard Colors</b>	Pearl / Slate



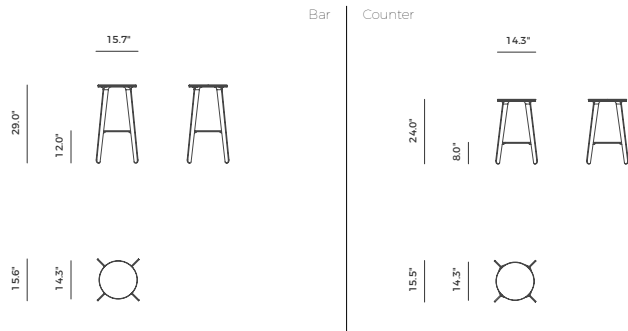
# Peel Bar Stool



Volumetric loops peel apart at the seat surface, revealing a welcoming perch at bar height. This all-aluminum stool features an integrated foot rest and two-tone color options.



<b>Environment</b>	Indoor + Outdoor
<b>Dimensions</b>	Bar   H: 29in/73.7cm, W: 15.6in/39.6cm, D: 15.6in/39.6cm Counter   H: 24in/61cm, W: 15.5in/39.4cm, D: 15.5in/39.4cm
<b>Material</b>	Coated Aluminum
<b>Standard Colors</b>	Pearl / Slate / Moss / Lake



Accessories



## Bolton Planter



A range of planters designed to delineate space in commercial or private settings. The Bolton planter series merges industrial techniques with modern details.

<b>Environment</b>	Outdoor
<b>Dimensions</b>	Tall   H: 33.4in/84.8cm, W: 16in/40.6cm, D: 16in/40.6cm Raised   H: 24.4in/62cm, W: 48.4in/122.9cm, D: 11.4in/29cm Short   H: 15.4in/39.1cm, W: 11in/27.9cm, D: 11in/27.9cm Wide   H: 8.4in/21.3cm, W: 11in/27.9cm, D: 46.5in/118.1cm
<b>Material</b>	Coated Aluminum
<b>Standard Colors</b>	Pearl + Lake / Moss + Slate



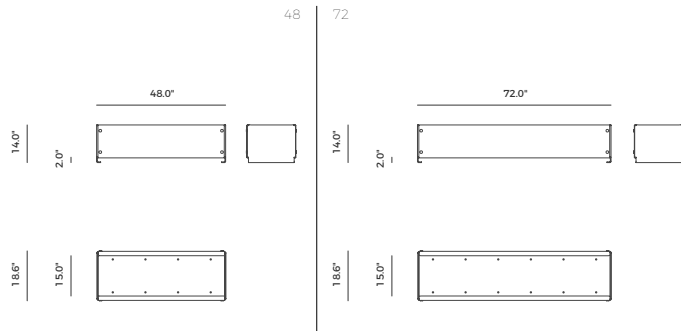
# Broad Planter



A substantial aluminum planter series that touches down on a pair of planar contrasting end caps.



<b>Environment</b>	Outdoor
<b>Dimensions</b>	48   H: 14in/35.6cm, W: 48in/121.9cm, D: 18.6in/47.2cm 72   14in/35.6cm, W: 72in/182.9cm, D: 18.6in/47.2cm
<b>Material</b>	Coated Aluminum
<b>Standard Colors</b>	Pearl + Lake / Moss + Slate

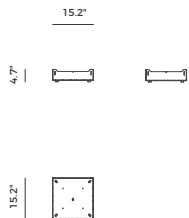


## Fairmount Tile Planter



A flat-packed aluminum tile planter for building lightweight, modular gardens in private and public spaces.

<b>Environment</b>	Outdoor
<b>Dimensions</b>	H: 4.7in/11.9cm, W: 15.2in/38.6cm, D: 15.2in/38.6cm
<b>Material</b>	Polished Aluminum, Burlap, EPDM Rubber



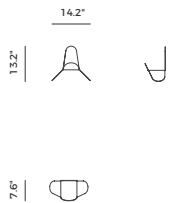


## Wylie Hose Reel



A sculptural hook to coil your garden hose or EV cord around. Holds up to 50 feet of hose.

<b>Environment</b>	Outdoor
<b>Dimensions</b>	H: 12.8in/32.5cm, W: 14.2in/36.1cm, D: 7.6in/19.3cm
<b>Material</b>	Coated Aluminum
<b>Standard Colors</b>	White (RAL9016) / Black (RAL9005) / Silver (49/93061)



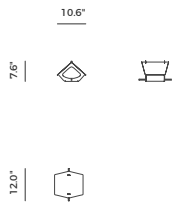
## Beekman Bird Feeder



A contemporary play on the classic pitched birdfeeder. Folded aluminum is pierced by a walnut perch.



<b>Environment</b>	Outdoor
<b>Dimensions</b>	H: 7.6in/19.3cm, W: 10.6in/26.9cm, D: 12.0in/30.5cm
<b>Material</b>	Coated Aluminum, Black Walnut, Paracord
<b>Standard Colors</b>	Yellow (RAL1018) / White (RAL9016)

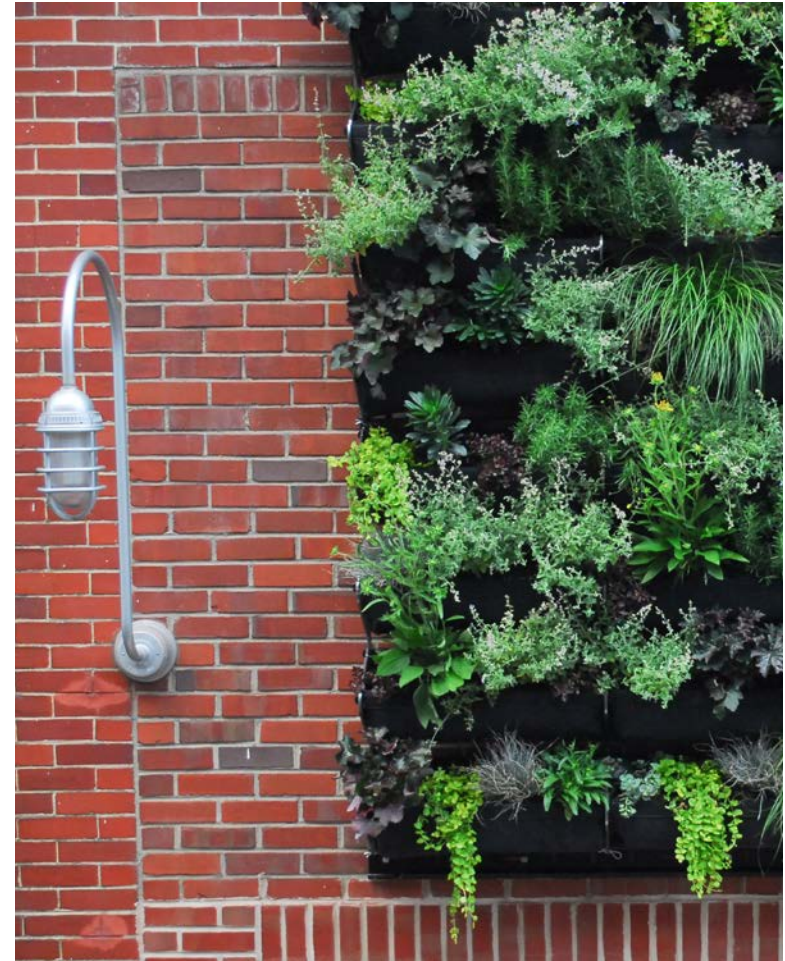
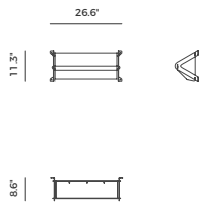


## Tucker Window Box



A lightweight window box with easily changed textile containers that can be expanded into a larger living wall system.

<b>Environment</b>	Outdoor
<b>Dimensions</b>	H: 11.3in/28.7cm, W: 8.6in/21.8cm, D: 26.6in/67.6cm
<b>Material</b>	Geotextile, Coated Aluminum
<b>Standard Colors</b>	Pearl / Slate

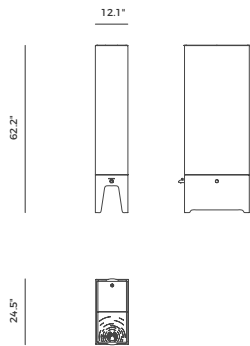


## Fitzwater Rain Tank



The Fitzwater is designed to complement modern dwellings and buildings as an attractive alternative to the conventional blue plastic barrels.

<b>Environment</b>	Outdoor
<b>Dimensions</b>	H: 62.2in/158.0cm, W: 24.5in/62.2cm, D: 12.1in/30.7cm
<b>Material</b>	Polished Stainless Steel



# SHIFT

**Shift**  
**3060 W Jefferson Street**  
**Philadelphia, PA 19121**  
**Tel. +1 267 536 5321**  
**hello@shiftmakes.com**

**www.shiftmakes.com**  
**@shiftmakes**

All rights reserved. Unless otherwise specified, all designs and images contained in this publication are copyright protected and are the property of Shift. All dimensions are in inch. SHIFT is not responsible for errors in the documentation of products. This document remains subject to possible changes. All measurements are approximate and provided for informational purposes only. No part of this publication may be copied or distributed without Shift's prior written consent. © Shift V.20200810